



ANCHORS & SETUP



www.BLEVINSINC.com

Blevins



ALBUQUERQUE

8000 Bluewater Road NW, Suite D
Albuquerque, NM 87121
505.420.6108 | 888.275.1044

ALEXANDRIA

3323 North Bolton Ave.
Alexandria, LA 71303
318.443.2505 | 1.800.234.2505

BRISTOL

21528 Travalite Dr.
Bristol, VA 24202
276.669.2216 | 1.800.544.0171

FT. WORTH

2109 Carson St.
Fort Worth, TX 76117
817.429.6200 | 1.800.792.1030

GREENVILLE

313 Standing Springs Ct.
Simpsonville, SC 29680
864.688.6088 | 1.800.327.8608

HARRISBURG

621 Kreider Dr.
Middletown, PA 17057
717.944.3009 | 1.800.568.1240

JACKSONVILLE

6740 Broadway Ave.
Jacksonville, FL 32254
904.562.7428 | 1.877.473.2124

LEXINGTON

5030 Jo Marrs St.
Lexington, KY 40509
859.263.5129 | 1.800.727.8778

LIVERPOOL

4657 Crossroads Park Dr.
Liverpool, NY 13088
315.453.0636 | 1.800.237.7813

MOBILE

3941 Demetropolis Rd.
Mobile, AL 36693-5551
251.666.8750 | 1.800.766.8750

MOLINE

2751 Morton Drive
East Moline, IL 61244
309.281.1801 | 800.747.7091

NASHVILLE

421 Hart Ln.
Nashville, TN 37216
615.228.2616 | 1.800.759.5910

NEW CARLISLE

1790 Dalton Dr.
New Carlisle, OH 45344
937.849.6600 | 1.800.777.6601

ROCKY MOUNT

750 Fenner Rd.
Rocky Mount, NC 27804
252.442.0101 | 1.800.967.0111

DOUBLE DISC ANCHOR



ITEM ID	DESCRIPTION
0120019	Anchor 3/4" x 36" Double Disc, 4" & 6", Class 4
0121019	3/4" x 36" Galvanized Anchor Double Disc, Class 4 *Non-Galvanized Shown



ITEM ID	DESCRIPTION
0120004	Anchor 3/4" x 30" Double 4" Disc, Class 2-3
0120008	Anchor 5/8" x 30" Double 4" Disc, Class 2-3
0121004	Galvanized Anchor 3/4" x 30" Double 4" Disc



ITEM ID	DESCRIPTION
0120011	Anchor 3/4" x 48" Double 4" Disc
0121012	Galvanized Anchor 3/4" x 42" Double 4" Disc

SINGLE DISC ANCHOR



ITEM ID	DESCRIPTION
0120000	Anchor 5/8" x 48" Single 6" Disc, Class 4-4A
0120003	Anchor 3/4" x 48" Single 6" Disc, Class 4-4A
0120400	5/8" x 48" Anchor Galvanized 6" Disc
0120401	3/4" x 48" Anchor Galvanized 6" Disc
0120402	3/4" x 60" Anchor Galvanized 8" Disc



ZIPCAP ANCHOR STABILIZER

- Easy to install
- Screws into ground with anchor when you use a ZIPCAP adapter
- Saves money; you don't need to stock two types of anchors
- Saves space; packaged 8 to a box for easy transport
- Better performance; free-floating ZIPCAP doesn't move when anchor pulls vertically
- More flexibility; approved for soil class 2 & 3 with 0120004 and soil class 4 with 0120019



ITEM ID	DESCRIPTION
0120050	Zip Anchor 3/4" x 30" Double 4" Disc, Class 2-3 Soil
0120051	36" Zip Anchor, Class 4 Soil
0121050	Galvanized Zip Anchor 30", Class 2-3 Soil
0121051	Galvanized Zip Anchor 36", Class 4 Soil



ITEM ID	DESCRIPTION
0121028	Galvanized Zip Cap Anchor Stabilizer *Non-Galvanized Shown

CROSS DRIVE ANCHORS



ITEM ID	DESCRIPTION
0120002	Anchor Cross-Drive 3/4" x 48" Rock
0120010	Anchor Cross-Drive 3/4" x 36" Rock
0120017	Anchor Cross-Drive Head Only
0120048	Cross-Drive 3/4" x 36", Rod Only
0120081	Anchor Cross-Drive 3/4" x 30" Rock
0120082	Cross-Drive 3/4" x 30", Rod Only
0121010	Galvanized Cross-Drive Anchor 3/4" x 36" Rock

GW-2 ANCHOR



Minute Man anchors_{LLC}

ITEM ID	DESCRIPTION
0120022	GW-2 Soil Anchor
0121025	Galvanized E-Z Anchor 4430 3/4

ANCHOR HEAD WITH LAG BOLT

Double tensioning device for use on dry concrete or existing concrete slabs.



ITEM ID	DESCRIPTION
0120009	Double Tension Head with Lag & Shield
0120014	Double Tension Head Only
0120018	Concrete Lag Bolt and Shield Only
0121014	Galvanized Double Tension Head Only

PATIO SLAB ANCHORS



ITEM ID	DESCRIPTION
0120005	Anchor Hooked Patio Swivel Head
0120007	Anchor Hooked Patio
0120013	Anchor Hooked Patio Swivel Head 14"
0121005	Galvanized Anchor Hooked Patio Swivel Head
0121007	Galvanized Anchor Hooked Patio

STABILIZER PLATES

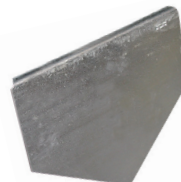
ABS Lateral Stabilizer Plate designed for loose soil conditions. 10" x 24". Class 4B Fla.; 6/Bundle



ITEM ID	DESCRIPTION
0120186	Plastic Stabilizer Device, Florida



ITEM ID	DESCRIPTION
0120334	Anchor Head with Sleeve



ITEM ID	DESCRIPTION
0120403	Galvanized Large Plate

ANCHOR BOLT



ITEM ID	DESCRIPTION
0120006	Anchor Slotted Bolt and Nut



IMAGE NOT AVAILABLE

ITEM ID	DESCRIPTION
0120180	12" Anchor Stabilizer Plate
0121180	12" Galvanized Anchor Stabilizer Plate

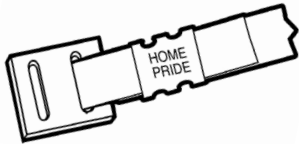
M-PLATE STABILIZER

- More cutting points for better balance
- Smaller and shorter plate is easier to get into ground
- "Power Ridge" provides extra strength for as much or more resistance than traditional plates
- More resistance concentrated at the top of the anchor, so plate performs as good or better than traditional plates even though it is smaller
- Meets all state requirements except FL. This can replace traditional stabilizer plates
- Average installation in 1/3 the time of traditional plates



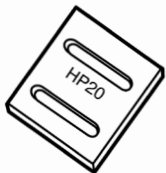
ITEM ID	DESCRIPTION
0120188	M Plate Stabilizer
0121188	Galvanized M Plate Stabilizer *Non-Galvanized Shown

DOUBLE BUCKLE



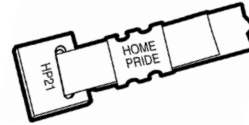
ITEM ID	DESCRIPTION
0120293	Double Buckle with 6' Strap, Bulk
0120296	Double Buckle with 8' Strap, Box
0120297	Double Buckle with 8' Strap, Bulk
0120286	Double Buckle with 15' Strap, Bulk, 4/Bundle

STRAP BUCKLE



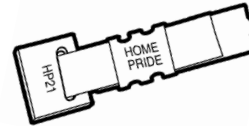
ITEM ID	DESCRIPTION
0120314	Buckle Double Slot
0120311	Buckle Double Slot, 200/Box

SINGLE BUCKLE WITH STRAP



ITEM ID	DESCRIPTION
0120288	Buckle with 6' Strap, Bulk
0120308	Buckle with 7' Strap, Bulk
0120290	Buckle with 7' Strap, Box
0120292	Buckle with 10' Strap, Bulk
0120291	Buckle with 10' Strap, Box
0120294	Buckle with 15' Strap, Bulk

FRAME CLAMP



ITEM ID#	DESCRIPTION
0120313	Frame Clamp without Strap
0120324	Frame Clamp with 6' Strap, Bulk
0120325	Frame Clamp with 7' Strap, Box
0120329	Frame Clamp with 7' Strap, Bulk
0120330	Frame Clamp with 8' Strap, Bulk
0120276	Frame Clamp with 8' Strap, Box
0120326	Frame Clamp with 10' Strap, Box
0120348	Frame Clamp with 10' Strap, Bulk
0120312	Frame Clamp with 12' Strap, Bulk
0120327	Frame Clamp with 15' Strap, Box
0120328	Frame Clamp with 15' Strap, Bulk

ANCHOR STRAP

1-1/4" wide (with standard galvanized coating) strapping exceeds 4,725 lbs. breaking strength (100 lb. roll: approx. 650').



(G-120 approved for Florida)

ITEM ID	DESCRIPTION
0120301	G60 Anchor Strap, 37' Roll
0120307	G60 Anchor Strap, 100 lb Roll
0120414	100' Roll G120 Strapping
0120430	G120 Strapping, 100 lb Roll
0120431	G120 Strapping, 37' Roll

ITEM ID	DESCRIPTION
0120085	Universal Swivel Connector 6' Step G120

STRAP CONNECTOR

Universal Swivel/Sidewall Connector w/G120 Strap



ITEM ID	DESCRIPTION
0120417	6' Frame Tie with Swivel Connection
0120617	1 1/4" x 5' Strap with Universal Swivel Co
0120465	7' Frame Tie with Swivel Connection
0120482	8' Frame Tie with Swivel Connection

SWIVEL CONNECTOR WITH STRAP

Factory attached strap for applications where use of standard frame ties is prohibited. To be used with beam hook. 4/bundle.



Not stocked at all locations

ITEM ID	DESCRIPTION
0120415	5' Swivel Strap
0120481	6' Swivel Strap
0120404	7' Swivel Strap
0120405	10' Swivel Strap
0120416	12' Swivel Strap

STRAP SEAL

Secures strapping together with buckles or frame clamps. Must use strap seal crimping tool (0120316)



ITEM ID	DESCRIPTION
0120299	Anchor Strap Seal



ITEM ID	DESCRIPTION
0120316	Crimp Tool for Anchor Strap Seal

BEAM HOOK

Use with swivel frame connectors for attaching anchor straps to I-beams.



Not stocked at all locations

ITEM ID	DESCRIPTION
0120406	Beam Hook - 3" with Nut and Bolt
0120407	Beam Hook - 4" with Nut and Bolt
0120408	Double Beam Hook with Nut and Bolt
0120612	HP LDS Double I Beam Hook

7' COLUMN TIE-DOWN

For marriage wall columns where opening is 48" or larger. Fasten to the column above the normal up-lift straps or to block with 13 #8 1-1/4" screws (minimum).



ITEM ID	DESCRIPTION
0120435	7' Tie Down Strap

ROOF BRACKET

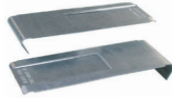
Use for cable or strap passing over the mobile home. Holds straps or cable away from roof and sides. 100/Count.



ITEM ID	DESCRIPTION
0120302	6" Anchor Roof Bracket

STRAP PROTECTOR

Attaches between strap and I-beam to prevent cutting or breaking.



ITEM ID	DESCRIPTION
0120283	Strap Protector

ANGLE BRACKET

Use with swivel frame connectors for attaching anchor straps to I-beams. Includes: 1-left angle, 1-right angle, 1-1.5" bolt with nut & washer, 2-1" bolt with nuts & washers.

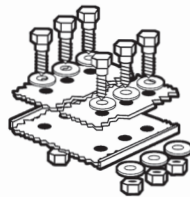


Not stocked at all locations

ITEM ID	DESCRIPTION
0120409	Longitudinal Angle Bracket

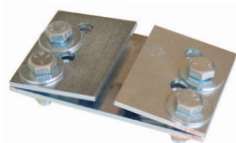
GATOR CLAMP

Use with swivel frame connectors for attaching anchor straps to I-beams.



Not stocked at all locations

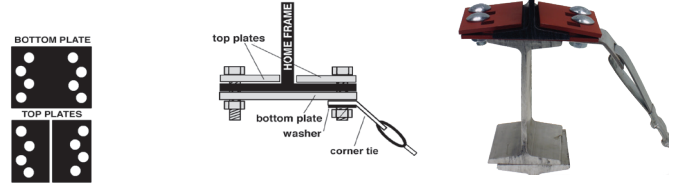
ITEM ID	DESCRIPTION
0120410	Gator Clamp



ITEM ID	DESCRIPTION
0120512	Longitudinal Gator Beam Clamp, 4 Bolt

LONGITUDINAL FRAME TIE (4 BOLT)

Use outside holes for 3 1/2" to 4" flanges. Use inside holes for 2" to 3" flanges. For Wind Zone 1. 4 1/2" x 1-1/2" Grade 5 machine bolts and 8 1/2" high strength washers included.



Minute Man anchors

ITEM ID	DESCRIPTION
0120420	Longitudinal Frame Tie, 4 Bolt



ITEM ID	DESCRIPTION
0120421	Corner Tie with 7' Standard Strap

ELECTRIC ANCHOR MACHINE

Features 12 RPM, 1/2 HP, 115 volt, 6 cycle, 9 amp motor, on-off, forward-reverse switches. With its 12 RPMs, it far outpaces any 6 or 9 RPM units. When running off a generator, a minimum of 4500 Watts is required.



TIE DOWN
MANUFACTURING INGENUITY

ITEM ID	DESCRIPTION
0120315	Anchor Machine Forward/Reverse Switch
0120317	Adapter for Electric Anchor Auger
0120318	Anchor Machine On/Off Switch
0120319	Anchor Machine, Electric
0120120	Eye Anchor Adapter



0120317

0120120

HYDRAULIC EARTH DRILL

Little Beaver's Hydraulic Earth Drill has a highly maneuverable three-wheel chassis with pneumatic tires, a five-gallon hydraulic reservoir and an 11 HP engine. Patented torque tube eliminates the kickback found on other earth drills, so one-man drilling is safe, fast and productive.



- Portable for one person operation and easy maneuverability
- Torque Free for maximum operator safety and no kick back
- Hydraulic: Powerful 11 HP Honda power source is reliable and reversible
- Versatile: Fencing, foundations, soil sampling, anchor installation and more
- 5 year warranty on motor, 1 year on parts and labor



ITEM ID	DESCRIPTION
0120710	Little Beaver Assembly



Power source



ITEM ID	DESCRIPTION
0120700	Little Beaver 11HP Honda Power Source
0120701	Little Beaver Anchor Handles Attachment
0120702	Little Beaver Anchor Adapter
0120703	Little Beaver Torque Tube

PORTABLE BUILDING ANCHORS



ITEM ID	DESCRIPTION
0120303	Shed Anchor 5/8" x 30" Double 4" Disc
0120335	Anchor 30" Disc 2" To 4" Disc with Shed Head
0120337	Shed Anchor 32" x 1/2" Nail

SHED ANCHOR KIT

Four Eye Anchors 15" Long, with 3" disk and 50' of 500 lb. test cable.



Minute Man anchors, Inc.

ITEM ID	DESCRIPTION
0120306	Anchor Shed Kit with 15" Anchors
0120298	Anchor Shed Kit with 30" Anchors

BARBED ANCHORS

Not stocked at all locations



ITEM ID	DESCRIPTION
0120024	5/8" x 26" Barbed Anchor with 30" Cable
0120026	Barbed Anchor 3/4" x 24", Swivel Head
0120031	Barbed Anchor 3/4" x 36" with Bolt Hole Bracket, 6 Tab
0120033	Barbed Anchor 3/4" x 30" with Hook
0120034	Barbed Anchor 3/4" x 30" with Hole Bracket
0120042	Barbed Anchor 30", 6 Tab, 2/L Bracket
0120047	Barbed Anchor 48"
0120053	Barbed Anchor 5/8" x 30"
0120083	Barbed Anchor 5/8" x 36", 4 Tab, Swivel Head



0120033



0120024



0120042



0120026

* Note: Head on 0120024 not welded to shaft of anchor

EYE ANCHORS



ITEM ID	DESCRIPTION
0120115	Eye Anchor 1/2" x 30" Single 4" Disc
0120074	Eye Anchor 3/4" x 48" Single 6" Disc
0120101	5/8" x 48" Eye Anchor Single 6" Disc
0120102	Eye Anchor 5/8" x 30" Single 4" Disc
0120103	Eye Anchor 5/8" x 40" Single 6" Disc
0120480	Eye Anchor 15" Single 4" Disc



ITEM ID	DESCRIPTION
0120021	Eye Anchor 5/8" x 30" Double 4" Disc
0120044	Eye Anchor 5/8" x 36" Double 4" Disc
0120068	1/2" x 30" Eye Anchor Double 4" Disc
0120104	Eye Anchor 3/4" x 24" Double 4" Disc
0120105	Eye Anchor 5/8" x 48" Double 4" Disc
0120116	Eye Anchor 3/4" x 30" Double 4" Disc

ITEM ID	DESCRIPTION
0120336	30" Eye Barbed Anchor with 6 Tabs

ITEM ID	DESCRIPTION
0120615	1/2" x 30" Eye Anchor with 4" Auger, Box
0120619	1/2" x 30" Eye Anchor with 4" Auger, Pallet
0120620	5/8" x 48" Eye Anchor with 6" Auger

SPORTSMAN ANCHOR

Anchor for tree stands



ITEM ID	DESCRIPTION
0120106	30" Sportsman Anchor 6" Disc with 15' Cable
0120107	30" Sportsman Anchor 6" Disc with 20' Cable



ITEM ID	DESCRIPTION
0120310	36" Step Anchor



ITEM ID	DESCRIPTION
0120040	AC Pad Anchor



ITEM ID	DESCRIPTION
0120372	72" Adjustable Lateral Tube with Hardware, Soil
0120376	72" Adjustable Lateral Tube with Hardware, Concrete

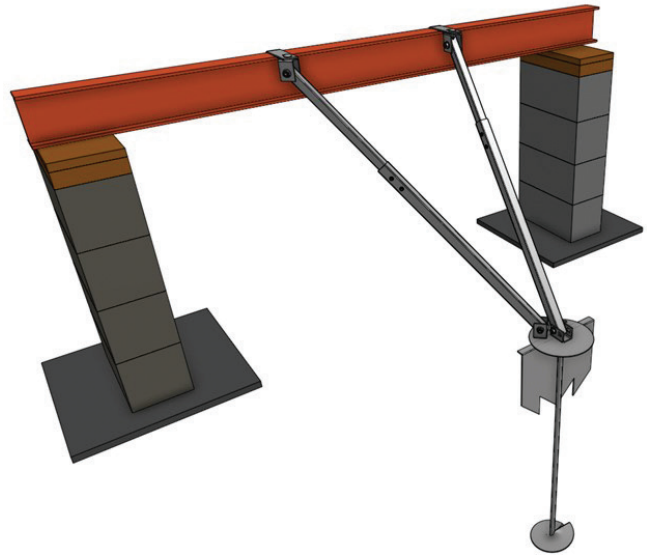
ITEM ID	DESCRIPTION
0120066	3/16" 3000' Cable
0120067	3/16" Cable Clamps



ITEM ID	DESCRIPTION
0120023	36" EZ Anchor with 4" - 6" Disk
0120025	3/4" EZ Anchor 4430
0121023	36" Galvanized E-Z Anchor with 4" & 6" Disk

LOCK DOWN SYSTEM (LDS) FOR FLORIDA ONLY

- Anchor based, for extreme holding power
- Installs from the perimeter of the home for quicker installation
- No more crawling between I-beams to connect Lateral Struts
- Each LDS anchor replaces a single sidewall anchor
- LDS stabilizer attaches to the anchor providing resistance under windward and leeward forces



WHOLE HOME ASSEMBLY

ITEM ID	DESCRIPTION
0120606	LDS Assembly for Homes 30' to 52' Long
0120607	LDS Assembly for Homes over 52' Long
0120611	LDS for Standard Triple Wide 30' to 80'

Whole Home Assemblies include all LDS System components (LDS anchors, LDS stabilizers, struts and hardware) to complete each home. Additional sidewall anchors and strapping sold separately.

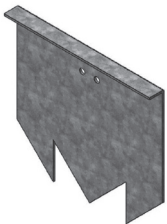
COMPONENTS

ITEM ID	DESCRIPTION
0120600	HP LDS Anchor
0120602	HP LDS Stabilizer
0120603	HP LDS Strut 35"
0120604	45" HP LDS Strut
0120605	HP LDS Hardware Kit
0120610	8' HP LDS Strut
0120612	HP LDS Double I Beam Hook

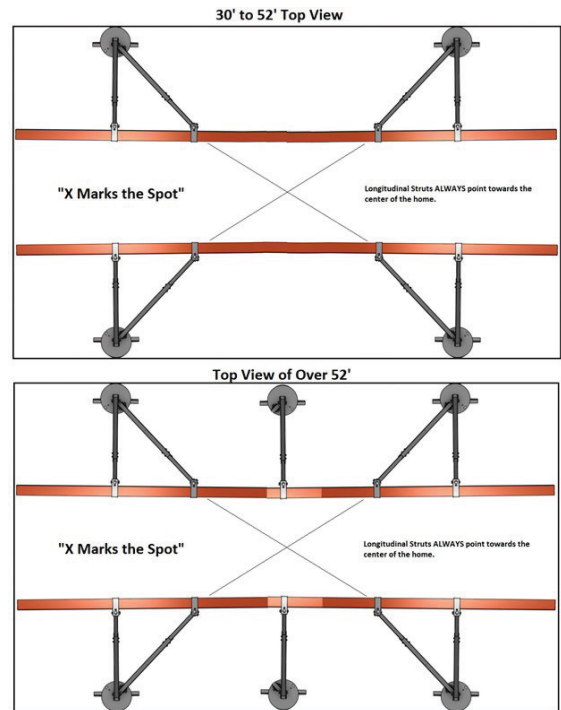
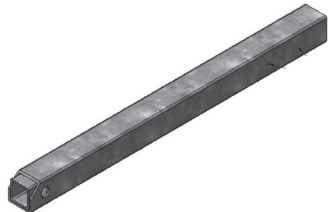
LDS ANCHOR



LDS STABILIZER



LDS STRUT

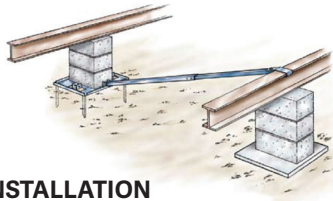
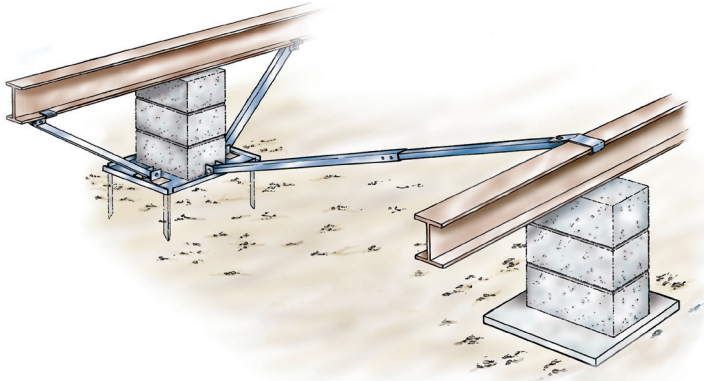


Visit HPanchors.com for complete details, installation instructions and approval letters

FOUNDATION SYSTEMS

LLBS FOUNDATION SYSTEMS FOR ALL WIND ZONES

Minute Man anchors,[®] Inc.



LATERAL SYSTEM FOR SOIL INSTALLATION SYSTEM COMPONENTS:

ITEM ID	DESCRIPTION
0120349	60" Adjustable Lateral Tube with Hardware, Soil
0120358	Steel Pier Pad with 16" Pins
0120370	Lateral Pan System

LONGITUDINAL SYSTEM FOR SOIL INSTALLATION SYSTEM COMPONENTS:

ITEM ID	DESCRIPTION
0120355	39" Longitudinal Pan System
0120356	44" Longitudinal Pan System
0120357	53" Longitudinal Pan System
0120358	Steel Pier Pad with 16" Pins

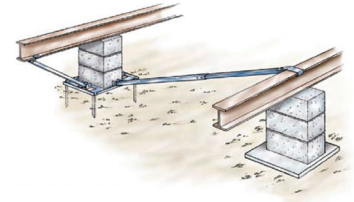
1- 1.5" Square Bracing Tube with Beam Clip

65" System available by special order

For Windzones 2 & 3

ITEM ID	DESCRIPTION
0120397	Longitudinal Pan Sys 39" F/ Zone 2 and 3
0120398	Longitudinal Pan Sys 44" F/ Zone 2 and 3
0120399	Longitudinal Pan Sys 53" F/ Zone 2 and 3

- Can eliminate or reduce frame ties, anchors and stabilizers
- Versatile and interchangeable parts easily adapt to most any foundation requirements on homes being manufactured today
- Top quality heavy gauge galvanized steel provides stability
- Adaptable to steel piers, concrete block piers and poured foundations
- Provides support as needed, lateral, longitudinal or both
- Easy to install on dirt or concrete
- Neatly packaged for warehousing and transport to job site



LATERAL & LONGITUDINAL SYSTEM FOR SOIL INSTALLATION SYSTEM COMPONENTS:

ITEM ID	DESCRIPTION
0120373	Lat/Long Pan Sys-39" WZ 2 and 3
0120374	Lat/Long Pan Sys-44" WZ 2 and 3
0120375	Lat/Long Pan Sys-53" WZ 2 and 3
0120377	Lat/Long Pan Sys-39" WZ 1
0120378	Lat/Long Pan Sys-44" WZ 1
0120379	Lat/Long Pan Sys-53" WZ 1



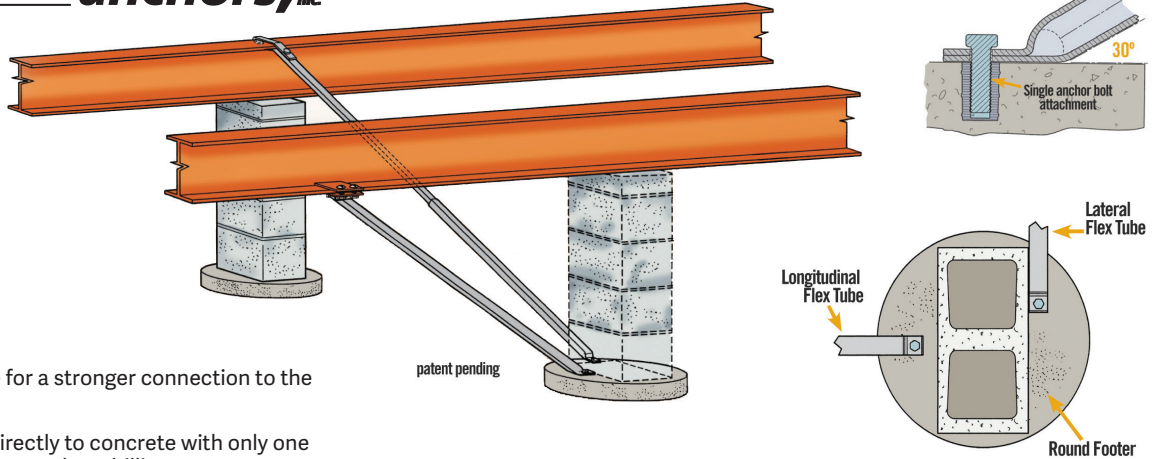
ITEM ID	DESCRIPTION
0120352	39" Longitudinal Brace Tube with Beam Clamp, Soil
0120353	44" Longitudinal Brace Tube with Beam Clamp
0120354	53" Longitudinal Brace Tube with Beam Clamp
0120359	65" Longitudinal Brace Tube with Beam Clamp

REPLACEMENT PARTS

ITEM ID	DESCRIPTION
0120320	Replacement Hardware for Lateral Tubes
0120350	Replacement Beam Clip with Nut Bolt
0120362	Replacement Hardware for Regular Long Tubes
0120363	LLBS 3" Beam Lateral Clamp
0120425	Beam Clip Double Beam
0120426	7" Longitudinal Lateral Hook

LLBS FLEX TUBES FOR CONCRETE INSTALLATION

Minute Man anchors, Inc.



- 4-ply folded tube for a stronger connection to the concrete
- Tubes connect directly to concrete with only one anchor bolt: less parts, less drilling
- Tubes can fit on smaller concrete footers
- Tubes easily flex from 10 degrees to 45 degrees
- Pre-assembled beam clips on longitudinal tubes
- Neatly packaged for warehousing and transport to job site

LATERAL SYSTEM FOR CONCRETE FLEX TUBE SYSTEM COMPONENTS:

ITEM ID	DESCRIPTION
0120342	6" Wet Concrete Anchor
0120395	60" Lateral Flex Tube Concrete
0120396	Wet Set Lateral Sys-60"

LATERAL & LONGITUDINAL SYSTEM FOR CONCRETE FLEX TUBE SYSTEM COMPONENTS FOR WET SET:

ITEM ID	DESCRIPTION
0120395	60" Lateral Flex Tube Concrete

1- Galvanized Longitudinal Brace Tube with Beam Clip

ITEM ID	DESCRIPTION
0120342	6" Wet Concrete Anchor
0120388	Wet Set Longitudinal 39" System
0120389	Wet Set Longitudinal 44" System
0120390	Wet Set Longitudinal 53" System

LATERAL & LONGITUDINAL SYSTEM FOR CONCRETE FLEX TUBE SYSTEM COMPONENTS FOR DRY SET:

ITEM ID	DESCRIPTION
0120395	60" Lateral Flex Tube Concrete
1- Galvanized Longitudinal Brace Tube with Beam Clip	

ITEM ID	DESCRIPTION
0120385	39" Longitudinal Flex with Beam Clamp for Dry Set
0120386	44" Longitudinal Flex with Beam Clamp for Dry Set
0120387	53" Longitudinal Flex with Beam Clamp for Dry Set
0120391	65" Longitudinal Flex with Beam Clamp For Dry Set

REPLACEMENT PARTS



0120361
Replacement Hardware for Flex Long Tubes



0120360
Replacement Hardware for Flex Lateral Tubes



0120342
6" Wet Concrete Anchor

CONCRETE + GROUND FOUNDATION SYSTEM

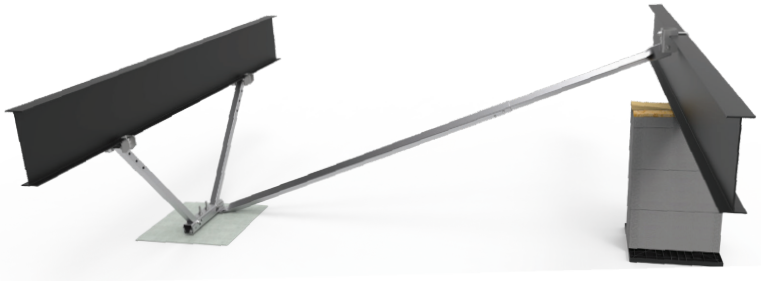
XV STEEL PIER SYSTEM

TIE DOWN'S XV SYSTEM offers comprehensive lateral and longitudinal protection in a single, user-friendly solution. Designed for both ground and concrete applications, it provides versatility for various home installations. Acting as a weight-bearing pier, the XV system adds preload once securely fastened, ensuring stability and durability. The longitudinal beam clamps are engineered for quick and easy installation, featuring a "crimping" factor that enhances security once in place. Additionally, the inclusion of user-friendly lateral beam bracketry enables easier work under the home during the installation process.

XVG Steel Pier System (Ground Set)



XVC Steel Pier System (Concrete Set)



Quick YouTube Video
for Ground Installation



Quick YouTube Video
for Concrete Installation



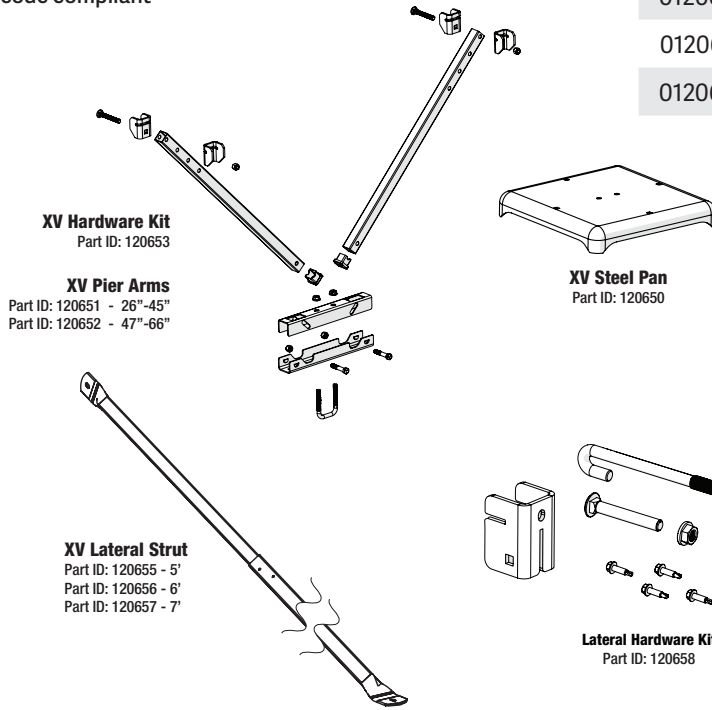
Online
Installation Manual

ASSEMBLIES

ITEM ID	DESCRIPTION
0120670	Ground Assembly 26"-45" Arms - XV Foundation System Pier Assembly for Ground. Includes 1 Ground Pan, 2 Pier Arms 26"-45", 1 Pier Hardware Kit for Ground
0120671	Ground Assembly 47"-66" Arms - XV Foundation System Pier Assembly for Ground. Includes 1 Ground Pan, 2 Pier Arms 47"-66", 1 Pier Hardware Kit for Ground
0120672	Concrete Assembly 26"-45" Arms - XV Foundation System Pier Assembly for Concrete. Includes 2 Pier Arms 26"-45", 1 Pier Hardware Kit for Concrete
0120673	Concrete Assembly 47"-66" Arms - XV Foundation System Pier Assembly for Concrete. Includes 2 Pier Arms 47"-66", 1 Pier Hardware Kit for Concrete

KEY FEATURES

- Both concrete and ground applications
- Lateral and longitudinal protection
- Acts as weight-bearing pier once pre-loaded
- Easy and versatile installation processes
- Longitudinal beam clamps feature “crimping” factor
- Zinc-coated and galvanized hardware
- Beam bracketry included
- HUD code compliant

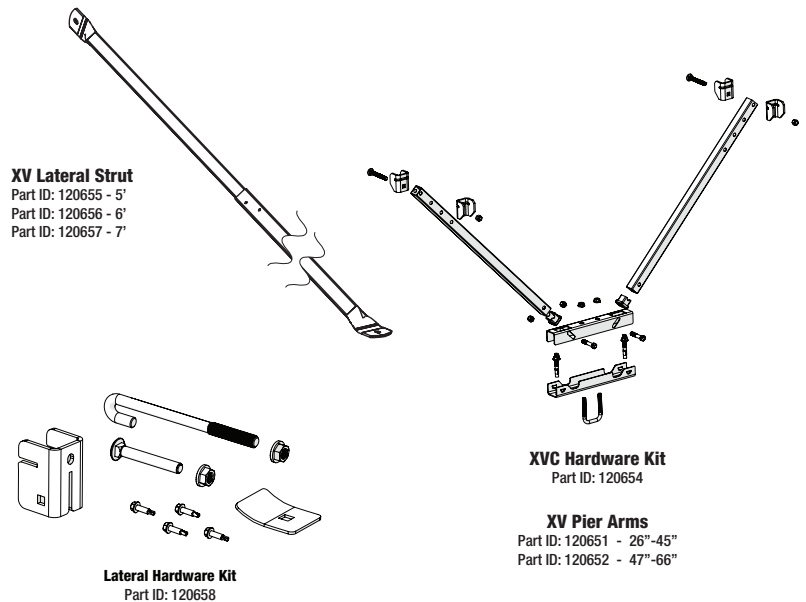


GROUND SYSTEM SUB COMPONENTS

ITEM ID	DESCRIPTION
0120650	Ground Pan
0120651	Longitudinal / Pier Arms 26"-45"
0120652	Longitudinal / Pier Arms 47"-66"
0120653	Longitudinal / Pier Hardware Kit Ground
0120655	5' Lateral Strut
0120656	6' Lateral Strut
0120657	7' Lateral Strut
0120658	Lateral Hardware Kit

CONCRETE SYSTEM SUB COMPONENTS

ITEM ID	DESCRIPTION
0120651	Longitudinal / Pier Arms 26"-45"
0120652	Longitudinal / Pier Arms 47"-66"
0120654	Longitudinal / Pier Hardware Kit Concrete
0120655	5' Lateral Strut
0120656	6' Lateral Strut
0120657	7' Lateral Strut
0120658	Lateral Hardware Kit



CONCRETE + GROUND FOUNDATION SYSTEM

TIE DOWN'S XI 2 SYSTEM offers versatile and reliable anchoring solutions for both ground and concrete applications. Both systems include a 5ft. lateral strut, lateral hardware kit, and longitudinal strut while the ground system also includes a steel pan. With streamlined lateral and longitudinal struts and bracketry, this system can seamlessly adapt to various installation scenarios. Compatible with the XV pier system, the lateral struts can be used with steel piers or concrete blocks, offering flexibility and ease of installation. Depending on wind zones, users can employ one longitudinal strut for zone I and two longitudinal struts for zones II and III. The hardware is zincoated and galvanized while the updated bracketry simplifies installation processes by improving accessibility when working beneath the home.

XI2 - 24 SYSTEM

XI2 - 24 GROUND SYSTEM



XI2 - 24 CONCRETE SYSTEM



ASSEMBLIES

ITEM ID	DESCRIPTION
0120670	Ground Assembly 26"-45" Arms - XV Foundation System Pier Assembly for Ground. Includes 1 Ground Pan, 2 Pier Arms 26"-45", 1 Pier Hardware Kit for Ground
0120721	Xi2-24 Concrete Assembly



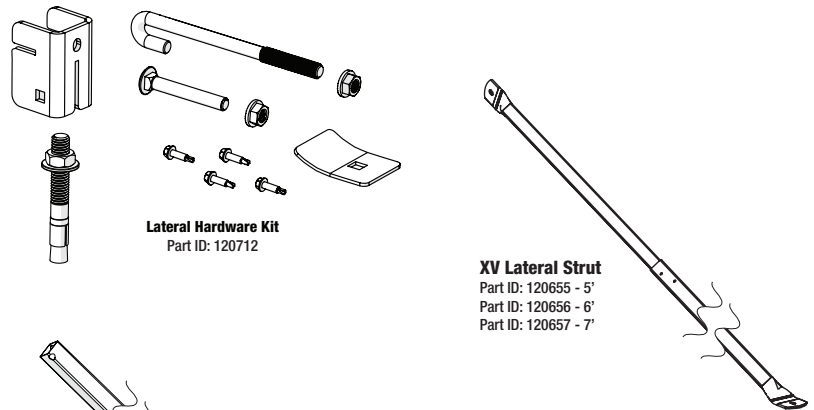
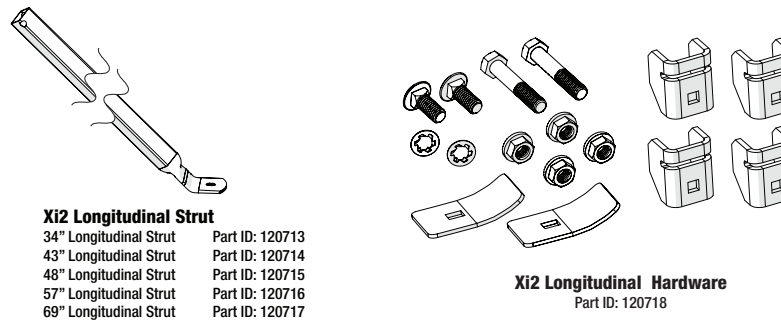
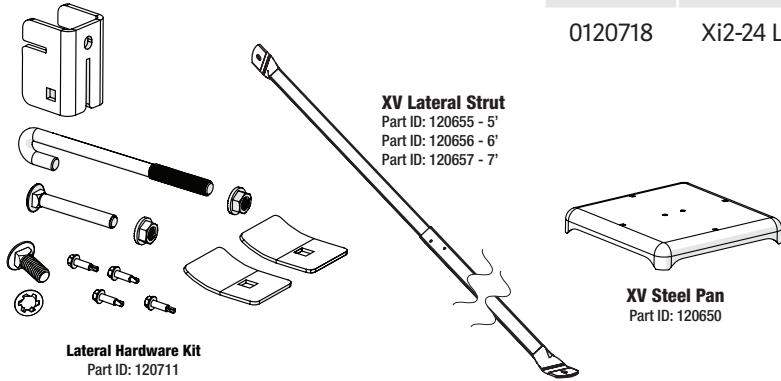
Online
 Installation Manual

KEY FEATURES

- Both concrete and ground applications
- Streamlined strut design
- Zinc-coated and galvanized hardware
- Updated beam bracketry
- HUD code compliant
- Easy and versatile installation processes

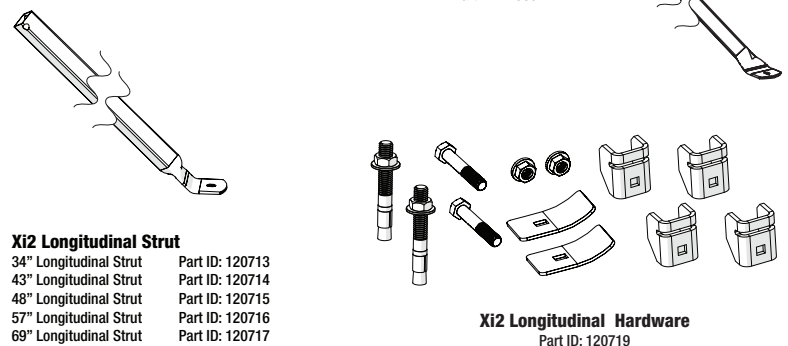
GROUND SYSTEM SUB COMPONENTS

ITEM ID	DESCRIPTION
0120711	Xi2-24 Lateral Hardware Kit, Ground
0120713	Xi2-24 Longitudinal Strut, 34"
0120714	Xi2-24 Longitudinal Strut, 43"
0120715	Xi2-24 Longitudinal Strut, 48"
0120716	Xi2-24 Longitudinal Strut, 57"
0120717	Xi2-24 Longitudinal Strut, 69"
0120718	Xi2-24 Longitudinal Hardware Kit, Ground, 2 per box



CONCRETE SYSTEM SUB COMPONENTS

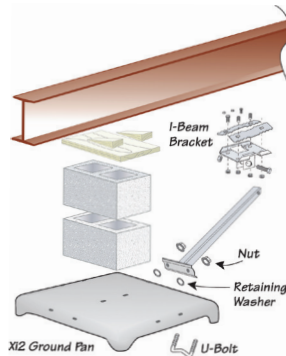
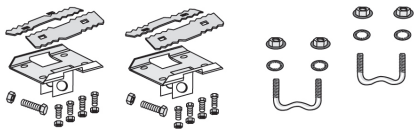
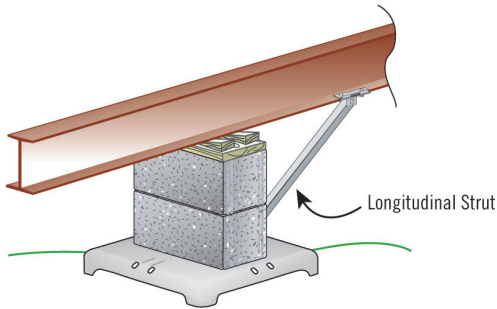
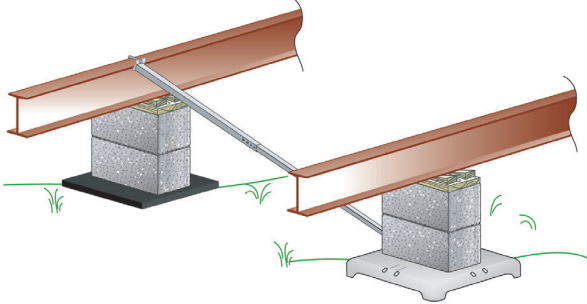
ITEM ID	DESCRIPTION
0120712	Xi2-24 Lateral Concrete Hardware Kit, 1 per bag
0120713	Xi2-24 Longitudinal Strut, 34"
0120714	Xi2-24 Longitudinal Strut, 43"
0120715	Xi2-24 Longitudinal Strut, 48"
0120716	Xi2-24 Longitudinal Strut, 57"
0120717	Xi2-24 Longitudinal Strut, 69"
0120719	Xi2-24 Longitudinal Hardware Kit, Concrete, 2 per box





Xi2 FOUNDATION SYSTEMS LATERAL & LONGITUDINAL STABILIZATION

For Ground or Concrete Installation Heavy Galvanized or Zinc Coatings on all Struts, Brackets and Hardware. Providing Windstorm and Seismic Protection in Wind Zones I, II, III, and Florida for Block or Steel Pier Sets.



LATERAL STABILIZATION FOR GROUND INSTALLATIONS

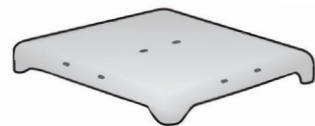
ITEM ID	DESCRIPTION
0120487	Xi2 Ground System with Lateral Strut with Hardware Assembly
0120493	Xi2 Lateral Ground Hardware Pack
0120505	Xi2 5' Lateral Strut for Ground System
0120506	Xi2 6' Lateral Strut for Ground System
0120507	Xi2 7' Lateral Strut for Ground System

STRUTS FOR LONGITUDINAL SYSTEMS - GROUND

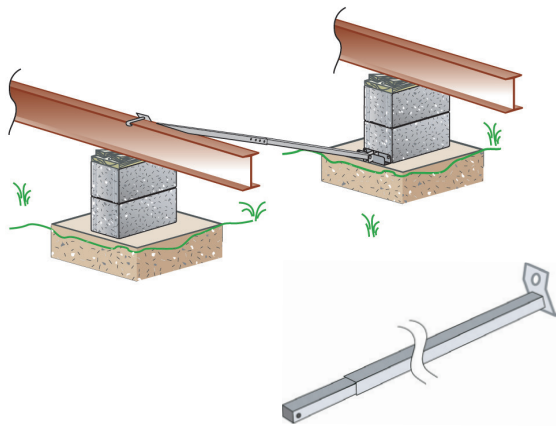
ITEM ID	LENGTH	PIER HEIGHT
0120479	30"	UP TO 2 BLOCKS
0120483	39"	UP TO 3 BLOCKS
0120484	44"	UP TO 4 BLOCKS
0120485	53"	UP TO 5 BLOCKS
0120486	65"	UP TO 6 BLOCKS

HARDWARE FOR GROUND SYSTEM

ITEM ID	DESCRIPTION
0120489	LSD Hardware Kit for Ground System, 2/Box
0120498	LSD Hardware Kit for Ground System, 1/Bag
0120514	2 Beam Clamps, 2 U-Bolts, Nuts and Bolts. For Use With 0120487 (Struts Not Included)
0120515	J-Hook for Double Beam 8 1/2"



ITEM ID	DESCRIPTION
0120508	Xi2 Steel Ground Pad

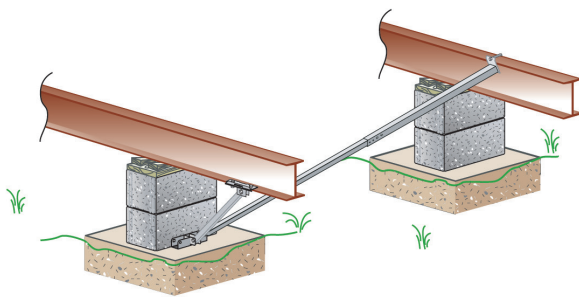


LATERAL STABILIZATION FOR CONCRETE INSTALLATIONS FOR DRY SET

ITEM ID	DESCRIPTION
0120422	Xi2 Concrete System with Lateral Strut and Hardware
0120492	Xi2 Concrete Lateral Hardware Pack

ITEM ID	DESCRIPTION
0120501	Xi2 5' Lateral Strut for Concrete System
0120502	Xi2 6' Lateral Strut for Concrete System
0120503	Xi2 7' Lateral Strut for Concrete System

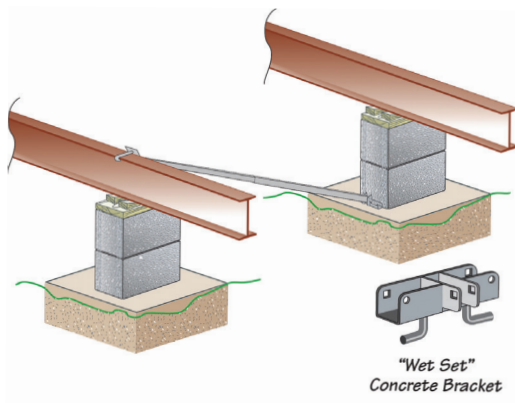
LONGITUDINAL STABILIZATION HARDWARE - CONCRETE



ITEM ID	DESCRIPTION
0120423	2 Beam Clamps, Nuts and Bolts. (use brackets that come with lateral system) For Use with 0120422 - Struts NOT included

STRUTS FOR LONGITUDINAL SYSTEMS - CONCRETE

ITEM ID	LENGTH	PIER HEIGHT
0120473	30"	UP TO 2 BLOCKS
0120445	39"	UP TO 3 BLOCKS
0120446	44"	UP TO 4 BLOCKS
0120447	53"	UP TO 5 BLOCKS
0120448	65"	UP TO 6 BLOCKS



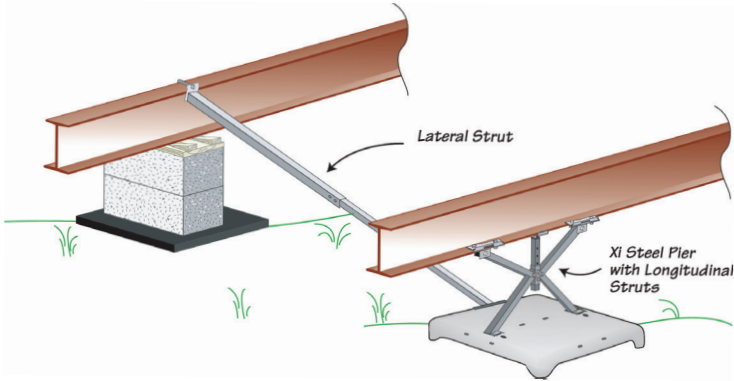
ITEM ID	DESCRIPTION
0120424	Xi2 Concrete System with Lateral Strut 6' and Hardware
0120499	Xi2 Wet Set Concrete Bracket

ADDITIONAL HARDWARE

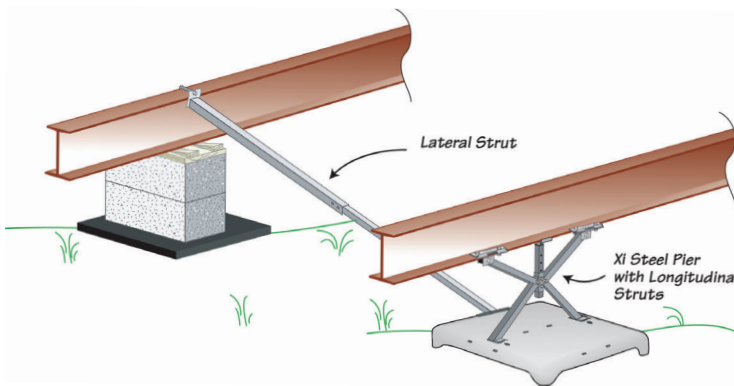
ITEM ID	DESCRIPTION
0120618	Xi2 25 1/2" Steel Pier Only, Tie Down
0120623	Frost Free Foundation Concrete Hardware
0120627	Xi2 Frost Free Single Joist with Bolts
0120628	Xi2 Frost Free Multi Joist with Bolts
0120629	Frost Free Foundation Ground Hardware
0120630	Xi2 Frost Free Standard Joist with Bolts



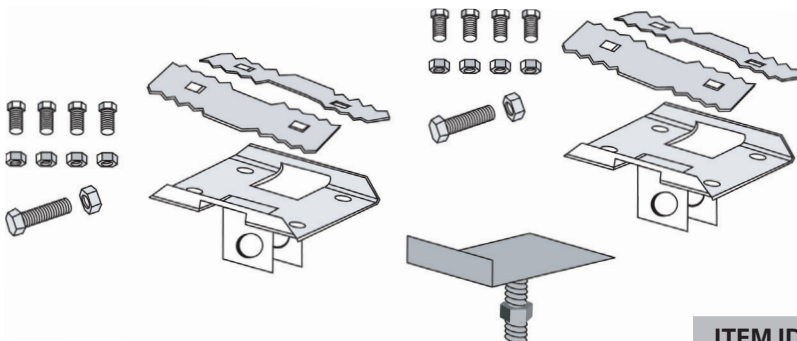
Xi2 FOUNDATION SYSTEMS LATERAL & LONGITUDINAL STABILIZATION (CONT.)



ITEM ID	DESCRIPTION
0120490	25 1/2" Xi2 Longitudinal Steel System
0120494	Xi2 Longitudinal Steel System 36"



ITEM ID	DESCRIPTION
0120509	Xi2 5' Lateral Strut with Hardware for Pier



ITEM ID	DESCRIPTION
0120488	Xi2 Steel Pier Hardware Kit

PIERS

Home Pride steel piers are constructed with a strong steel base and an adjustable threaded head. Lightweight, strong and easily stackable for transport. Home Pride steel piers have been tested and listed by NTA, with a design load of 6,650 lbs at a safety factor of 3, and 8,800 lbs at a safety factor of 2.25. Per HUD code, maximum allowed head extension is 2".

For complete details and installation instructions, visit hpanchors.com.

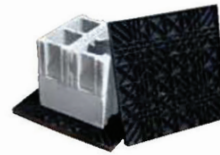


ITEM ID	DESCRIPTION
0120218	8" Pier
0120219	10" Pier
0120224	12" Pier
0120225	14" Pier
0120220	16" Pier
0120221	18" Pier
0120222	20" Pier
0120223	22" Pier
0120226	24" Pier
0120227	26" Pier
0120228	28" Pier
0120229	30" Pier
0120231	36" Pier

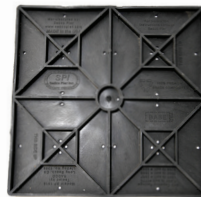


ITEM ID	DESCRIPTION
0121202	14" Galvanized Mobile Home Pier
0121197	16" Galvanized Mobile Home Pier
0121198	18" Galvanized Mobile Home Pier
0121203	20" Galvanized Mobile Home Pier
0121199	22" Galvanized Mobile Home Pier
0121200	24" Galvanized Mobile Home Pier
0121204	26" Galvanized Mobile Home Pier
0121205	28" Galvanized Mobile Home Pier
0121206	30" Galvanized Mobile Home Pier
0121196	Galvanized Mobile Home Pier 12"

PIER PADS



ITEM ID	DESCRIPTION
0265449	16" x 16" ABS Pier Pad
0265447	16" x 18" ABS Pier Pad
0265445	16" x 22 1/2" Pier Pad
0265446	17" x 25" Pier Pad
0265439	24" x 24" Pier Pad



ITEM ID	DESCRIPTION
0265550	16" x 16" x 1" Pier Pad
0265552	17" x 23" x 1" Pier Pad
0265551	18 1/2" x 18 1/2" x 1" Pier Pad
0265553	20" x 20" x 1" Pier Pad
0265554	24" x 24" x 1" Pier Pad



ITEM ID	DESCRIPTION
0265390	10" Pad for Deck and Step Post Application



ITEM ID	DESCRIPTION
0120230	L Pier Head

**Heads & Pier Base Sold Separately*



Minute Man anchors, Inc.

ITEM ID	DESCRIPTION
0121192	Galvanized Anchor Pier Head Only with Nut

CAP BLOCKS



PRESSURE TREATED

ITEM ID	DESCRIPTION
0265422	1" x 8" x 16" Pre-Treated Pine Block, 10/Bundle
0265423	2" x 8" x 16" Pre-Treated Pine Block, 5/Bundle

UNTREATED

ITEM ID	DESCRIPTION
0265401	1" x 8" x 16" Hardwood Untreated Cap Block, 10/Bundle
0265402	2" x 8" x 16" Hardwood Untreated Cap Block, 5/Bundle
0265426	2" x 8" x 16" Untreated Pine Block, 5/Bundle
0265428	1" x 8" x 16" Untreated Pine Block, 10/Bundle

DIP TREATED

ITEM ID	DESCRIPTION
0265415	1" Dip-Treated Hardwood, 10/Bundle
0265416	2" Dip-Treated Hardwood, 5/Bundle

WEDGES

Not stocked at all locations due to varying state codes and regulations. Ask your rep which product is right for your needs.



Other sizes available by special order.

PRESSURE TREATED

ITEM ID	DESCRIPTION
0265433	4" Pre-Treated Wedge, 80/Bundle
0265482	3 1/2" Hardwood Wedge, 100/Bundle

UNTREATED

ITEM ID	DESCRIPTION
0265400	3" Hardwood Untreated Wedge, 30/Bundle
0265403	4" Hardwood Untreated Wedge, 30/Bundle

DIP TREATED

ITEM ID	DESCRIPTION
0265411	4" Dip-Treated Hardwood Wedge, 30/Bundle
0265425	3" Dip-Treated Wedge, 30/Bundle



ITEM ID	DESCRIPTION
0120513	ABS Wedge
0265450	2" ABS Cap Plate/Board
0265458	ABS Wedges, 200/Bag
0265461	1" ABS Cap Plate/Board

FURRING STRIPS



ITEM ID	DESCRIPTION
0265027	1" x 2" x 8' Furring Strips, 25/Bundle

ROOF CAP FLASHING



ITEM ID	DESCRIPTION
0200059	8" x 50' Galvanized Roof Cap Flashing
0200057	10" x 50' Galvanized Roof Cap Flashing
0110355	12" x 33 1/2' Peel & Seal - Aluminum
ITEM ID	DESCRIPTION
0200056	10" x 5' Aluminum Roof Cap Flashing
0200058	10" x 70' Aluminum Roof Cap Flashing

VAPOR BARRIER



ITEM ID	DESCRIPTION
0264997	10' x 100' 6 MIL - Black
0265016	10' x 100' 6 MIL - Clear
0265005	14' x 100' 6 MIL - Black
0265004	16' x 100' 6 MIL - Black
0265000	16' x 150' 6 MIL - Black
0265002	20' x 100' 6 MIL - Black

REINFORCED VAPORBLOCK PLUS

ITEM ID	DESCRIPTION
0101368	10' x 150' 20 MIL Vaporblock Plus - Gold/White

REINFORCED CRAWL SPACE LINER



ITEM ID	DESCRIPTION
0101384	4' x 200' 12 MIL - White/Black
0101371	6' x 100' 6 MIL - Clear
0101385	6' x 100' 6 MIL - White/Black
0101339	6' x 100' 12 MIL - White/Black
0101343	12' x 100' 6 MIL - White/Black
0101321	12' x 100' 12 MIL - White/Black
0101320	12' x 100' 20 MIL - White
0101381	24' x 100' 8 MIL - White/Black
0101367	24' x 100' 12 MIL - White/Black

CLOSE OFF POLY



ITEM ID	DESCRIPTION
0265006	14' x 300' 4 1/2 MIL - White
0265009	16' x 100' 4 1/2 MIL - White
0265008	16' x 150' 4 1/2 MIL - White
0264990	14' x 300' 5 MIL - White
0265012	15' x 300' 6 MIL - White
0265034	14' x 130' 6 MIL - White
0265035	14' x 300' 6 MIL - White
0265014	15' x 150' 6 MIL - True White
0265037	16' x 150' 6MIL Close Off Poly - White
0265020	20' x 100' 6 MIL - White
0265013	14' x 150' 4 1/2 MIL Poly Close Off - White

BOTTOM BOARD



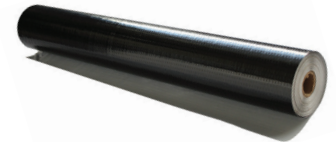
ITEM ID	DESCRIPTION
0360000	14' 4" x 70' Bottom Board
0360001	14' 5" x 4' Bottom Board
0360007	4' x 600' Bottom Board
0360008	16' x 80' Bottom Board
0360010	28" x 100' Bottom Board

NON REINFORCED CRAWL SPACE LINER



ITEM ID	DESCRIPTION
0101332	16' x 100' 6 MIL - Clear
0265032	14' x 100' 6 MIL - Clear

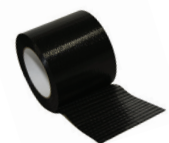
FLEX PATCH



ITEM ID	DESCRIPTION
0360004	28" x 25' Flex Patch Bottom Board
0360003	28" x 50' Flex Patch Bottom Board
0360002	28" x 100' Flex Patch Bottom Board



ITEM ID	DESCRIPTION
0360005	Bottom Board Mending Kit



ITEM ID	DESCRIPTION
0360011	4" x 165' No Back Econo-Mend

JACKS

ITEM ID	DESCRIPTION
0410190	12 Ton Low Norco Jack
0410191	12 Ton Standard Norco Jack
0410192	20 Ton Standard Norco Jack



QUICK JACK

For use in supporting doorways and windows for manufactured housing and portable buildings.

- Added base blocks allow additional height
- Adjustable system with nut is easy to use
- Light, compact design
- Strong: capacity of up to 4,000 lbs.



ITEM ID	DESCRIPTION
0120285	Quick Jack

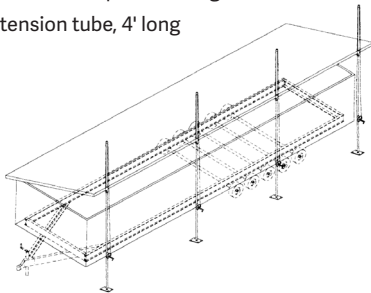
ROOF JACK

For jacking from the ground:

The fast, simple, inexpensive way to lift roofs. Jacks are adjustable for setting homes with varying pitches up to 7/12 from the ground. Adjustable from 11'6" to 18' for setting homes with a pitch up to 5/12. For pitches up to 7/12, an extension tube is provided giving jack adjustment up to 21'6".

Comes with:

- 1- 12" x 12" base plate
- 1- 1500 Lb., 2-way brake winch w/cable
- 1- Steel pulley with holder
- 1- 4' lifting bracket
- 1- Roller jacking foot
- 1- 3-1/4" inside pole, 10' long
- 1- 3-1/2" outside pole, 10' long
- 1- Extension tube, 4' long



Made exclusively for the Manufactured Housing Industry

ITEM ID	DESCRIPTION
0410155	Roof Jack 1000 for Ground

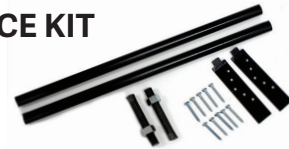


ITEM ID	DESCRIPTION
0120518	Racking/Alignment Brackets



ITEM ID	DESCRIPTION
0120250	Jacking Plate

OUT RIGGER BRACE KIT



ITEM ID	DESCRIPTION
0120510	Out Rigger Brace Kit 14' Frame
0120511	Out Rigger Brace Kit 16' Frame

HEAVY DUTY UTILITY ROLLERS

These heavy duty utility rollers are a low cost alternative to other more complete systems. They have a strong steel back plate, which allows you to crib directly on top of the roller. The steel back plate can be removed. They can be rolled on most smooth hard surfaces.



For additional weight capacity order sets as follows.

SETS	CAPACITY	PARTS & QUANTITY TO ORDER
3 Point Set	27,000 Lbs	2 - Flat Top + 1- Point Jack Roller
4 Point Set	36,000 Lbs	4 - Flat Top
5 Point Set	45,000 Lbs	4 - Flat Top + 1- Point Jack Roller

ITEM ID	DESCRIPTION
0411465	Flat Top Utility Roller
0411466	Point Jack Utility Roller

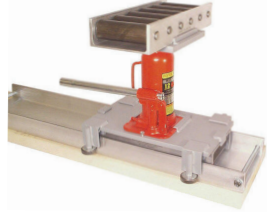
TOOLS & ACCESSORIES

4 POINT MULTI-DIRECTIONAL SYSTEM

4P-MSHD 40,000 LB Capacity. This system is NOT recommended for homes over 70' long.

System includes:

- 4 - 5' Aluminum Rolling Channel
- 4 - 6 Roll High Capacity Lower Dolly
- 4 - Hydraulic Jack Dolly Guide, 15"
- 4 - Jack Head Plate
- 4 - 6 Roll High Capacity Upper Dolly
- 4 - 12 Ton Norco Hydraulic Jacks



Warning: As a safety precaution, tires and axles should be left on the home as long as possible and/or proper safety cribbing used with this equipment.

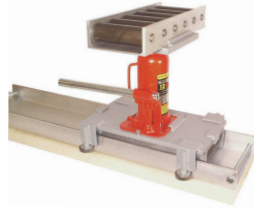
ITEM ID	DESCRIPTION
0411470	4 Point 6 Directional 40,000 lb Capacity

5 POINT MULTI-DIRECTIONAL SYSTEM

5P-MSHD 50,000 LB Capacity
This system is not recommended for homes over 70' long

System includes:

- 5 - 5' Aluminum Rolling Channel
- 5 - 6 Roll High Capacity Lower Dolly
- 4 - Hydraulic Jack Dolly Guide, 15"
- 1 - Point Jack Dolly Guide, 15"
- 4 - Jack Head Plate
- 4 - 6 Roll High Capacity Upper Dolly
- 4 - 12 Ton Norco Hydraulic Jacks



Warning: As a safety precaution, tires and axles should be left on the home as long as possible and/or proper safety cribbing used with this equipment.

ITEM ID	DESCRIPTION
0411468	6 Roll-High Cap Lower Dolly, 6 Ton
0411469	15" Point Jack Dolly Guide
0411471	5 Point 6 Directional 50,000 lb Capacity



ITEM ID#	DESCRIPTION
0120321	Earth Probe

TRACTION MAT

- 1/2" 100% recycled polyethylene plastic
- Virtually indestructible, even in harsh conditions
- Double-sided, skid and slip resistant
- Low cost alternative to fiberglass mats
- Easily portable
- Maintenance free



Get vehicles and equipment over lawns, through mud and across soft terrain while saving labor, bog-down time, towing charges and ground restoration fees—perfect for set-ups.

ITEM ID	DESCRIPTION
0265301	2' x 4' Traction Mat
0265302	2' x 6' Traction Mat
0265303	2' x 8' Traction Mat
0265304	4' x 8' Traction Mat



ITEM ID	DESCRIPTION
0120322	Penetrometer - Pocket
0120323	Penetrometer - Foot



ITEM ID	DESCRIPTION
0157170	Cast Equalizer



ITEM ID	DESCRIPTION
0157164	Steel Equalizer



ITEM ID	DESCRIPTION
0157166	Steel Shackle Bolt with Nut



ITEM ID	DESCRIPTION
0120037	1/2" Nut



ITEM ID	DESCRIPTION
0120036	2" Fender Washer



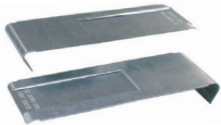
ITEM ID	DESCRIPTION
0120028	Zip Cap Anchor Stabilizer



ITEM ID	DESCRIPTION
0120338	Marriage Bracket For Vertical Strap



ITEM ID	DESCRIPTION
0157130	1/2" - 20 Thread Lug Nut



ITEM ID	DESCRIPTION
0120284	Strap Protector - Single



ITEM ID	DESCRIPTION
0120687	Double Bracket Only



ITEM ID	DESCRIPTION
0120686	Concrete Longitudinal Double Bracket

AXLE COMPONENTS

ITEM ID	DESCRIPTION
0154109	1/2" - 13 x 2 1/4" Lug Bolt
0153108	1/2" - 20 x 1 7/8" Lug Bolt



ITEM ID	DESCRIPTION
0157168	Spring Hanger 1 1/2" Drop
0157161	Spring Hanger 2 1/4" Drop
0157160	Spring Hanger 3 1/4" Drop



ITEM ID	DESCRIPTION
0157162	2 9/16" Shackle Link



ITEM ID	DESCRIPTION
0157163	2 1/4" Shackle Link



ITEM ID	DESCRIPTION
0120517	Axle Skid Plate



ITEM ID	DESCRIPTION
0120519	8 Bolt Heavy Duty Spring Hanger Kit



ITEM ID	DESCRIPTION
0120528	4 Bolt Spring Hanger Kit



ITEM ID	DESCRIPTION
0120049	1/2" Hex Head Bolt
0120038	1/2" x 4 1/2" Hex Head Bolt



ITEM ID	DESCRIPTION
0156900	Universal Dust Cap



ITEM ID	DESCRIPTION
0157124	1/2" x 2" Lug Stud



ITEM ID	DESCRIPTION
0157125	Rim Clamp

ADJUSTABLE FHA BUILDING OR BASEMENT COLUMNS

ITEM ID	DESCRIPTION
0120450	7' 6" - 7' 10" x 3" Quick-Adjust
0120451	7' 9" - 8' 1" x 3" Quick-Adjust
0120455	8' 6" - 8' 10" x 3" Quick-Adjust
0120453	8' 9" - 9' 1" x 4" Quick-Adjust
0120456	9' 6" - 9' 10" 1" x 3" Quick-Adjust, 11G



Scan the **QR CODE** For More Information On Our Entire Inventory of Anchors & Setup Items Or Contact Your Local Territory Manager For More Information!

www.BLEVINSINC.com